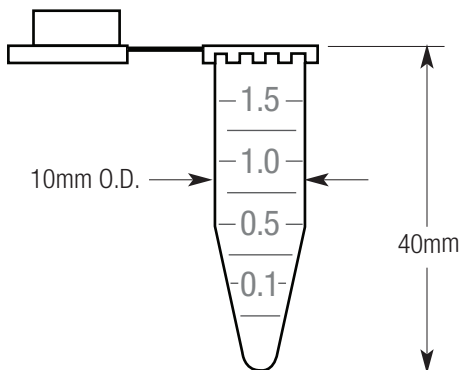


## 1.5mL Graduated Microcentrifuge Tubes with Attached Snap Cap, Polypropylene (PP)

Item# 111558/111558B/111558P/111558Y



### Description

Graduated microcentrifuge tube, 1000/pack. 1.5mL capacity. Attached snap cap. Molded graduations. These polypropylene tubes are resistant to most chemical reagents and can be autoclaved at 121°C. Available in clear, blue, pink and yellow.

### Features

- Polypropylene (PP)
- Attached snap cap
- Conical bottom
- Molded graduations

### Products

Item#	Description	Packaging
111558	1.5mL, PP, clear	1000 per pack
111558B	1.5mL, PP, blue	1000 per pack
111558P	1.5mL, PP, pink	1000 per pack
111558Y	1.5mL, PP, yellow	1000 per pack

### Technical Specifications

Material: Polypropylene (PP)  
 Autoclavable: Yes. 121°C for 20 minutes  
 Temperature range: -10°C to +50°C  
 Spin rate: 16,400 rpm or 25.00 x g

### Product Certifications

- CE — This product fulfills the requirements of Directive 98/79/EC on in vitro diagnostic medical devices
- ISO 13485:2003