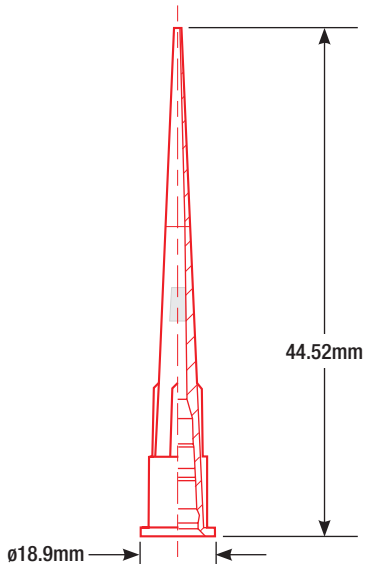


0.1-10µL Long Filter Pipette Tips, Low Retention, STERILE

Item# 150903



Technical Specifications

Material: Polypropylene (PP)
 Autoclavable: Yes
 Maximum Volume: 10µL
 Sterility: Gamma Irradiation SAL10⁻⁶

Products

Item #	Description	Unit
150903	Filter Pipette Tip, 0.1-10uL Long, Certified, Universal, Low Retention, 45mm, Extended Length, Natural, STERILE, 96/Rack, 10 Racks/Box, 2 Boxes/Carton	1920

Description

These Globe Scientific STERILE filter pipette tips are manufactured from clear high-quality polypropylene (PP). Special processing renders these tips hydrophobic for exceptionally low sample retention. The tips are certified DNase free, RNase free and non-pyrogenic. These premium quality pipette tips are manufactured in a Class 100,000 cleanroom environment under the ISO13485:2016 and ISO9001:2015 quality management systems. A universal fit design provides an airtight fit on most brands of pipettors. The tips are offered in extra-rigid autoclavable racks.

Features

- Manufactured from clear polypropylene (PP)
- Polypropylene (PP) filters protect samples and pipettors from contamination
- DNase-free, RNase-free and non-pyrogenic
- Manufactured in a Class 100,000 cleanroom environment
- Manufactured under ISO13485:2016 and ISO9001:2015 quality management system
- Sterilized by gamma irradiation SAL10⁻⁶ (ISO11137)
- Packaged in extra-rigid autoclavable racks
- Racks are printed with lot number for quality traceability

Material:

Tips: Polypropylene (PP), Color: Natural

Filters: Polypropylene (PP), Color: White

Rack Box: Polypropylene (PP), Color: Grey/Red

Packaging:

- 96/Rack, 10 Racks/Box, 2 Boxes/Carton